



**ChroZen-S** LC/MS  
**ChroZen-L** LC/MS

Single Quadrupole Compact Mass Spectrometer for Liquid Sample





## What is ChroZen LC/MS?

ChroZen LC/MS quickly provides essential information and improves the chemist's workflow. Modern organic labs have become automated, yet real-time mass assays remain just out of reach.

### → ChroZen LC/MS solves this !

ChroZen LC/MS is the smartest instrument for performing a mass spec solution, if you are a biopharmaceutical company, academic teaching/research lab or any industry requiring mass assays.

#### ■ ChroZen LC/MS Delivers:

- Positive and negative ions analysis
- ESI / APCI (switchable with minimal effort, optional installation)
- The first mass spec which fits in a fume hood with the sash closed
- Easy access to the ChroZen LC/MS :  
10 connectors located on the front of the instrument  
(8 I/O connectors, USB port and computer connector)
- Integrated solutions :  
- LC or UHPLC
- **Software**
- An inviting interface with powerful depth  
- Mass Express™, Data Express™.
- YL-Clarity both LC and MS with MS Extension only.



# Mass Express™ for the MS control

# Data Express™ for the Data processing

## ■ Simple!

We focused in the minimum steps and most efficient range of motion required for decision-bearing answer.

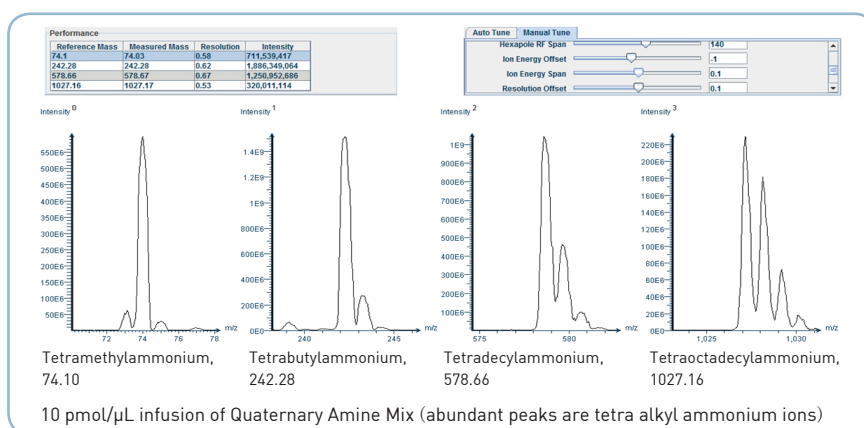
## ■ Ultimate confidence!

You can export cdf and csv files and you have thought of all possible options for data archiving and interpretation.

## ■ Auto tune

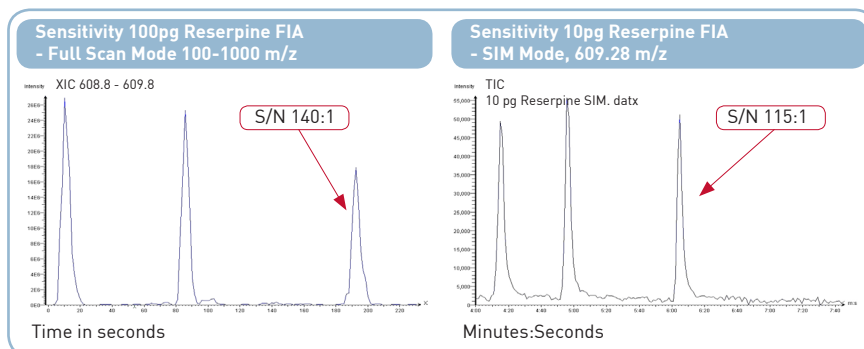
ChroZen LC/MS uses a pressurize calibrant delivery system for both positive and negative tuning mixes which are placed inside.

You can also set parameters manually.



## ■ Sensitivity

You can overcome poor resolution with UV detector or other detectors. Selective ion mode gives you a high selectivity for all individual chemicals.

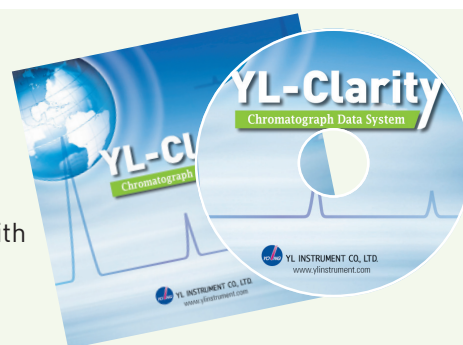


## ■ Application

Whether your application is LC and UPLC, our data acquisition and workflow approaches are the same.

## Powerful YL-Clarity

- ✓ YL-Clarity integrates HPLC/MS control of all operation parameters
- ✓ You can use the optional NIST Library and User Library
- ✓ It is designed for 21 CFR Part 11 Compliance and fully compatible with all Windows OS.



# The CHIEF MATE of your LAB!

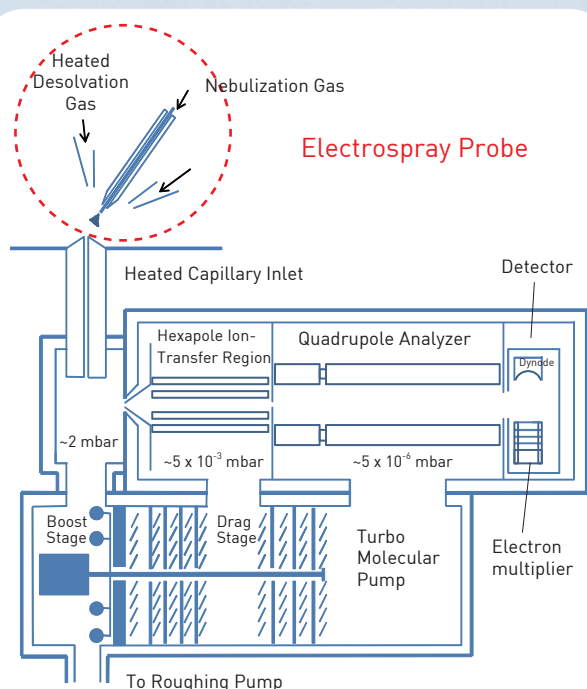
- ✓ **C**ompact Size
- ✓ **H**igh Performance
- ✓ **I**deal Design
- ✓ **E**asy Operation
- ✓ **F**ast Analysis

## ChroZen LC/MS

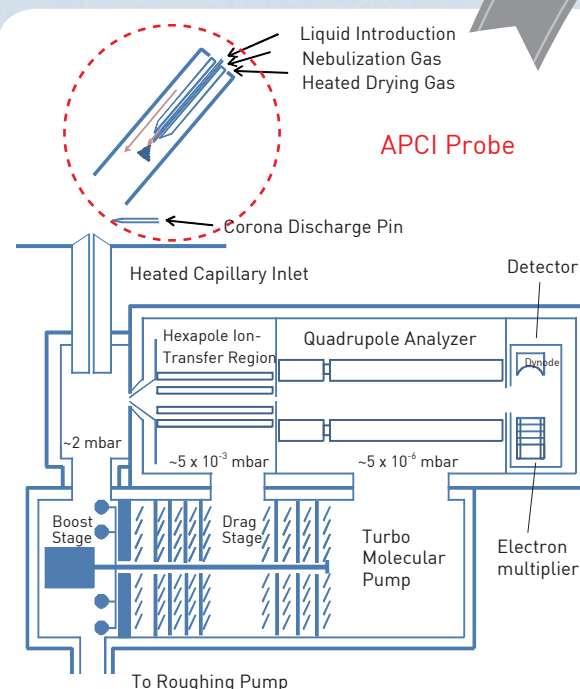
Unrivalled expertise in mass spectrometry  
just for the chemist

Ionization  
technique:  
**Patent-  
pending design**

### ESI Electro spray Ionization



### APCI Atmospheric Pressure Chemical Ionization



# ChroZen LC/MS (Model S and L)

The smartest mass spec designed **just for Chemists!**

## ■ Specification

ChroZen LC/MS	
Mass Analyzer	Single Quadrupole
Mass Range	S : 10 ~ 1,200 m/z, L : 10 ~ 2,000 m/z
Scan Speed	10,000 m/z/s
Ion Source	ESI / APCI (Option)
Polarity	Positive / Negative ion switching in single analysis
HPLC Flow Rate	ESI : 10 $\mu$ L/min to 1 mL/min, APCI : 10 $\mu$ L/min to 2 mL/min
Resolution	0.5 ~ 0.7 m/s (FWHM) at 1,000 m/z/s
Sensitivity	10 pg reserpine (FIA - 5 $\mu$ L injection at 100 $\mu$ L/min) 100:1 S/N (RMS) with ISIM of m/z 609.28 100 pg reserpine (FIA - 5 $\mu$ L injection at 100 $\mu$ L/min) 100:1 S/N (RMS) with full-scan acquisition from m/z 100 to m/z 1,200
Accuracy	$\pm$ 0.1 m/z
Stability	0.1 m/z over 12 hour
Gas	N <sub>2</sub> , 98 %, 60 psi
Gas Consumption	8 L/min
Weight	32 kg
Dimensions (H x W x D, mm)	660 x 280 x 560
Power Consumption	Max. 300 VA (MS) Max. 550 VA (Rotary pump)
Software	Mass Express™ / Data Express™ YL-Clarity
Warranty	1 year



### YOUNG IN Chromass

The iDEA makes iDEAL! KOREA MADE

60, Anyangcheondong-ro, Dongan-gu, Anyang-si, Gyeonggi-do, 14042, Korea

TEL: 82-31-428-8700 / FAX: 82-31-428-8787

E-mail: export@youngincm.com

Homepage: www.youngincm.com



These Products are manufactured by Young Lin  
ISO 9001-certified facility that is periodically audited by the  
registering body to ensure compliance